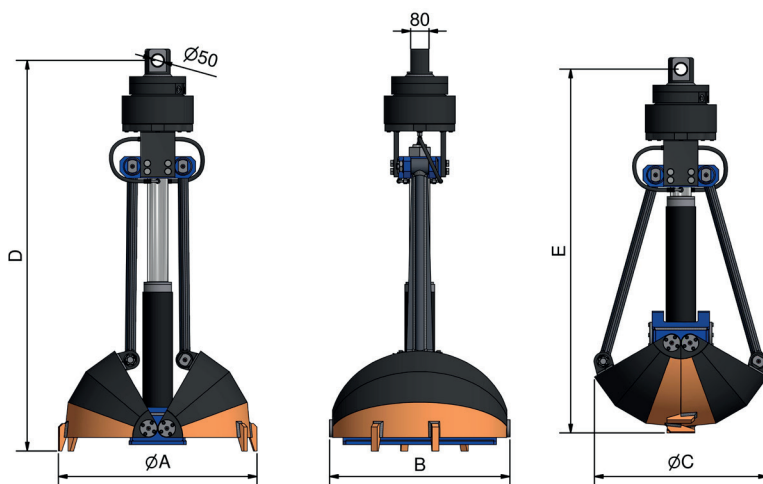


Well grapple

STUDNEX 600, 800, 1000



- Grapple designed for soil and wells excavating
- Rotator of 360° revolution according to machine characteristics can be fitted
- Grapple volume 30 - 120 litres
- Max.pressure 320 bar
- Long service life
- Excellent performance



Grapple type	Capacity (dm ³)	Weight (kg)	Closing force F (320 bar)
STUDNEX 600	30	330	28,1 - 74,3 kN
STUDNEX 800	60	405	24,7 - 65,2 kN
STUDNEX 1000	120	495	19,1 - 50,4 kN

Grapple type	Dimensions in mm				
	A	B	C	D	E
STUDNEX 600	665	590	585	1440	1350
STUDNEX 800	865	785	755	1685	1570
STUDNEX 1000	1 075	1 010	915	1890	1755

