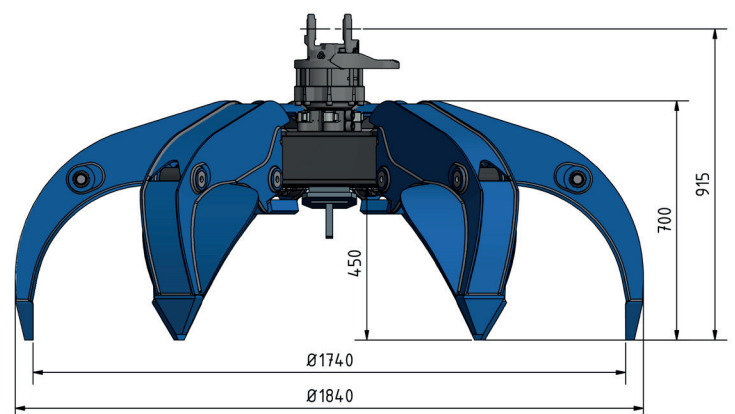
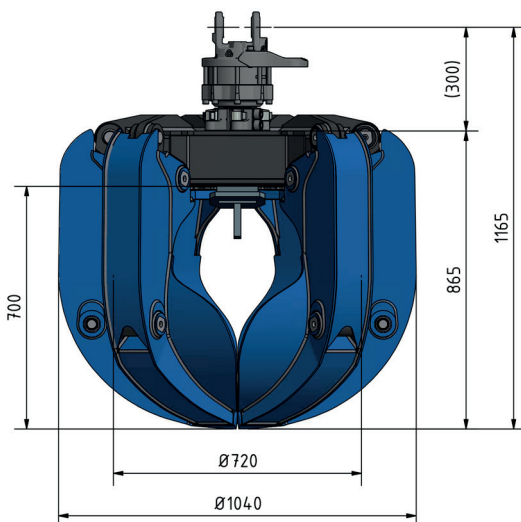


Orange-peel grapple for hydraulic arm HR(P)-P-V



- Grapple design for the most practical fitting around hydraulic crane
- Grapple is hidden behind the cab of the truck
- The most massive grapple with the biggest closing force
- Grapple is fitted with highly reliable Swedish rotator INDEXATOR GV 6
- The main teeth part and teeth tips are made of Swedish HARDOX 500
- Central body and teeth constructions are made of Swedish high-strength DOMEX 700, WELDOX 700
- Design with 6 teeth
- Operating pressure max. 200 bar
- Very long service life
- Supplied with links for all types and brands of hydraulic cranes



Grapple type	Capacity (dm ³)	Weight (kg)	Number of grips	Lifting capacity (kg)	Closing force F (200 bar)
HR(P)-P-280/6-T-1-V	280	525	6	3 000	8,5 - 13 kN

