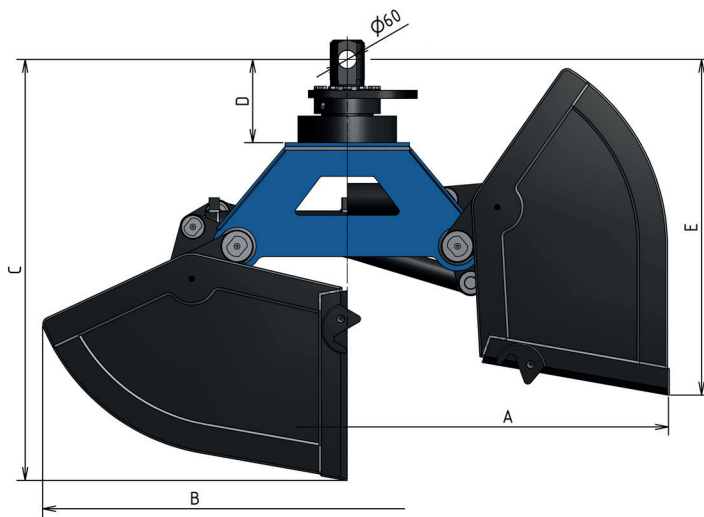


Hydraulic bucket grapple for excavator HLD-P2



- Grapple of massive construction for loose material handling (sand, chippings, coal,...)
- Bucket edges are made of Swedish wear-resistant HARDOX 500
- Custom-made solution according to your requirements (stainless or completely-HARDOX version,...)
- Very long service life
- Maintenance friendly
- Efficient solution
- Supplied with links for all types and brands of excavators



Grapple type	Capacity (m ³)	Weight (kg)	Dimensions in mm					
			A	B	C	D	E	F
HLD-P2-1000	1	1610	2484	2343	1624	320	1294	1200
HLD-P2-1400	1,4	1700	2484	2343	1624	320	1294	1400
HLD-P2-1600	1,6	1810	2681	2349	1724	320	1311	1400
HLD-P2-2000	2	1920	2681	2349	1724	320	1311	1500

