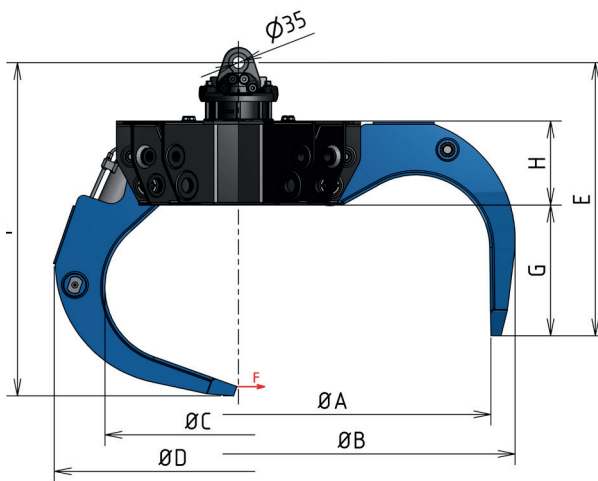


Orange-peel grapple for hydraulic arm HR-P-V



- Grapple design for better fitting around hydraulic arm
- Grapple is more hidden behind the cab of the truck
- The grapple is fitted with highly reliable Swedish rotator INDEXATOR GV 6
- The main grapple teeth part and teeth tips are made of Swedish HARDOX 500
- Central body and teeth construction are made of Swedish DOMEX 700
- Design with 6 teeth
- Operating pressure max. 200 bar
- The most massive grapple designed for heavy-duty handling of metal waste
- Very long service life
- Supplied with links for all types and brands of hydraulic cranes

Grapple type	Dimensions in mm							
	A	B	C	D	E	F	G	H
HR-P-250/6-T-1-V	1 490	1 630	725	1090	805	985	385	250
HR-P-280/6-T-1-V	1 600	1 755	825	1095	820	1040	400	250
HR-P-350/6-T-1-V	1 770	1 930	875	1110	850	1130	435	250

Grapple type	Capacity (dm ³)	Weight (kg)	Number of grips	Lifting capacity (kg)	Closing force F (200 bar)
HR-P-250/6-T-1-V	250	423	6	3 000	7,5 - 9,7 kN
HR-P-280/6-T-1-V	280	453	6	3 000	7,1 - 9 kN
HR-P-350/6-T-1-V	350	468	6	3 000	6,3 - 8 kN

